



## EBK5 Series

### \*Features

- Wide current area
- Moderate leakage current

### \*Application

The filters are suited for power supplies for industrial installation, partially for the output filters used on converter equipments, such as speed governor.

### \*Technical Data

Rated Voltage	250/480VAC
Operating Frequency	50/60Hz
Rated Current	5A-1000A
Test Voltage(1min)	1500VDC(line/line)
Test Voltage(1min)	2250VDC(line/ground)
Climatic Category	40/085/21

Model DL-	Terminal		Rated Current (A)	Ground Capacitance (nF)	Discharge Resistance (M Ω )		Circuit Diagram FIG.	Dimension FIG.
	Input	Output						
5EBK5			5	200	1.5	0.68	1	1
10EBK5			10	200	1.5	0.68	1	1

### \*Typical Circuit Diagram

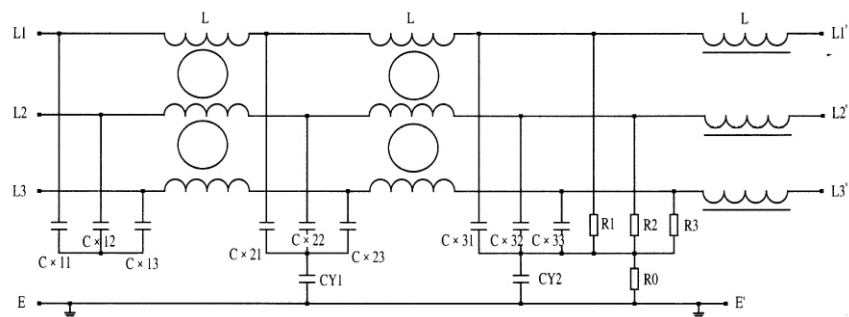


Fig1

## \*Outline Drawing and Dimensions:(mm)

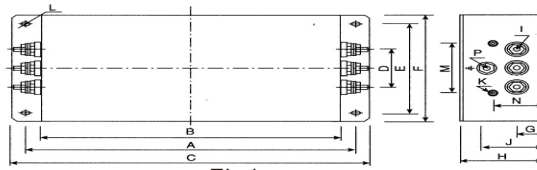


Fig1

Model	A	B	C	D	E	F	G	H	I	J	K	M	N	P	L
DL-5EBK5 DL-10EBK5 DL-16EBK5	184	160	202		60	86		58			-	-	-		6.4 × 9.4
DL-25EBK5 DL-35EBK5	243	224	265	58	70	102	25	92	M 6	58	M 4	7.4	4.9	M 6	6.4 × 9.4
DL-50EBK5 DL-65EBK5 DL-80EBK5 DL-100EBK5 DL-130EBK5 DL-160EBK5 DL-200EBK5	354	323	388	66	155	188	30	92	M 8	62	M 4	8.6	5.6	M 8	6.4 × 9.4

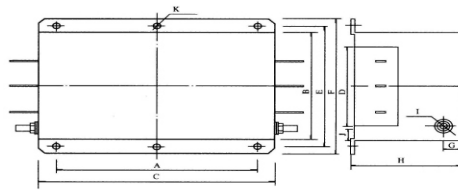


Fig2

Model	A	B	C	D	E	F	G	H	I	J	K	M	N	P	L
DL-250EBK5 DL-320EBK5	290	210	350	158	234	262	25	160	M 12	25	∅ 12				
DL-400EBK5 DL-600EBK5 DL-1000EBK5	290	230	356		255	280	25	220	M 12	25	∅ 12				

## \*Insertion Loss in dB(Measured in 50 ohm system as IEC/CISPER NO.17)

—(Common Mode) ----(Differential Mode)

